

90° Bone Hook

Designed by Charles Taunt, DO

Designed to ergonomically help the surgical assistant elevate the proximal femur during TKA, the bone hook aids the surgeon in accessing posterior osteophytes and in applying local anesthetic to the posterior capsule

Takes the place of an intramedullary device when the IM canal has not been opened (robotic assistance) or when damaged or osteopenic bone is of concern.



PRODUCT NO'S:

5940-B [Blunt Tip]
Curve Diameter: 50 mm
Hook Depth: 6.5" (16,5 cm)
Handle Length: 5" (12,7 cm)

5940-S [Sharp Tip]
Curve Diameter: 50 mm
Hook Depth: 6.5" (16,5 cm)
Handle Length: 5" (12,7 cm)



Curved Canal Rasps

Design modification by Michael Messieh, MD of original design by Anthony Unger, MD.

Designed for preparation of the femoral canal for insertion of a cemented or cementless hip stem, the multiple diameters serve to prepare the femoral canal after the initial 5 mm is used to find the curvature of the canal

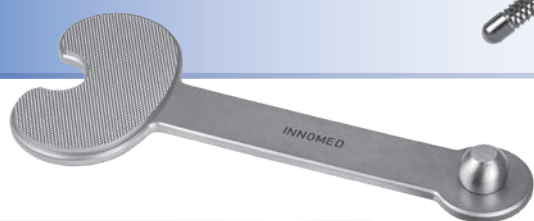


PRODUCT NO'S:

3004-01-08 [8 mm]
Overall Length: 11" (27,9 cm)
Handle Length: 5" (12,7 cm)

3004-01-10 [10 mm]
Overall Length: 11" (27,9 cm)
Handle Length: 5" (12,7 cm)

3004-01-12 [12 mm]
Overall Length: 11" (27,9 cm)
Handle Length: 5" (12,7 cm)

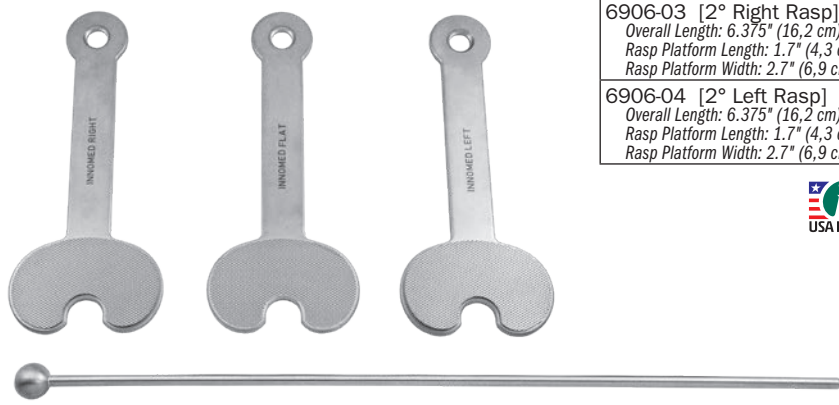


Grant TKA Anatomic Bone File Set

Designed by Richard E. Grant, MD

A bone rasp and plumb rod set designed for TKA tibial cut surface preparation

Plumb rod fits into the handle of each bone rasp: 0°, 2° Left, and 2° Right.



PRODUCT NO'S:

6906-00 [Set]

Set Includes/ Available Separately:

6906-01 [Plumb Rod]
Overall Length: 14" (35,6 cm)

6906-02 [0° (Flat) Rasp]
Overall Length: 6.375" (16,2 cm)
Rasp Platform Length: 1.7" (4,3 cm)
Rasp Platform Width: 2.7" (6,9 cm)

6906-03 [2° Right Rasp]
Overall Length: 6.375" (16,2 cm)
Rasp Platform Length: 1.7" (4,3 cm)
Rasp Platform Width: 2.7" (6,9 cm)

6906-04 [2° Left Rasp]
Overall Length: 6.375" (16,2 cm)
Rasp Platform Length: 1.7" (4,3 cm)
Rasp Platform Width: 2.7" (6,9 cm)



Kawell Short Army Navy Retractor

Designed by Ron Kane, DPM

A short handled Army Navy retractor, especially useful with a gastrocnemius recession



PRODUCT NO:

1148

Overall Length: 4.75" (12,1 cm)
 Large End Blade Length: 1.75" (4,4 cm)
 Large End Blade Width: .625" (1,6 cm)
 Small End Blade Length: 1" (2,5 cm)
 Small End Blade Width: .3125" (0,8 cm)



PRODUCT NO'S:

5174-00 [Set]

Set Includes/ Available Separately:

5174-F [Forward Toothed Curette]
 Overall Length: 11.5" (29,2 cm)
 Handle Length: 5.5" (14 cm)
 Angled Down: 30°

5174-R [Reverse Toothed Curette]
 Overall Length: 11.5" (29,2 cm)
 Handle Length: 5.5" (14 cm)
 Angled Up: 30°

5174-S [Straight Toothed Curette]
 Overall Length: 11.5" (29,2 cm)
 Handle Length: 5.5" (14 cm)



Sarraf Toothed Curettes

Designed by Khaled Sarraf, MD

Forward, straight, and reverse bent toothed curettes designed to aid in all types of joint arthroplasty surgery, especially in scraping any articular chondral islands within the acetabulum during THA preparation

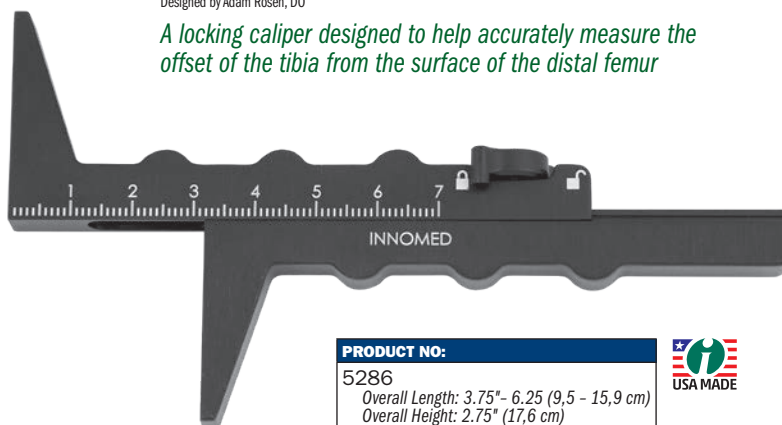
- ▶ Can also be used for the femoral canal in cemented and uncemented THA
- ▶ Valuable aid in revision arthroplasty (hip, knee, shoulder and ankle) for cement curettage
- ▶ Useful tool in hip and knee primary arthroplasty as well as shoulder, elbow and ankle arthroplasty procedures



Tibiofemoral Offset Caliper

Designed by Adam Rosen, DO

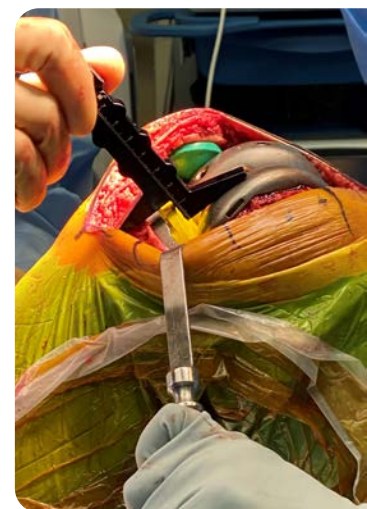
A locking caliper designed to help accurately measure the offset of the tibia from the surface of the distal femur



PRODUCT NO:

5286

Overall Length: 3.75" - 6.25" (9,5 - 15,9 cm)
 Overall Height: 2.75" (17,6 cm)
 Width: 8 mm



INNOMED

© 2020 Innomed, Inc.

Innomed, Inc
 103 Estus Drive
 Savannah, GA 31404
 USA

Tel 912.236.0000
 Fax 912.236.7766

www.innomed.net
info@innomed.net

Innomed-Europe LLC
 Alte Steinhauserstrasse 19
 CH-6330 Cham, Switzerland
 Tel 0041 (0) 41 740 67 74
 Fax 0041 (0) 41 740 67 71

www.innomed-europe.com
info@innomed-europe.com
contact.france@innomed-europe.com

innomed-europe.com

Innomed-Europe GmbH
 c/o Emons Logistik GmbH
 In Rammelswiesen 9 D-78056
 Villingen-Schwenningen
 Deutschland

Tel 0049 (0) 7720 46110 60
 Fax 0049 (0) 7720 46110 61

www.innomed-europe.com
info@innomed-europe.com